

SV2WL-Series Lockable Sample Valve

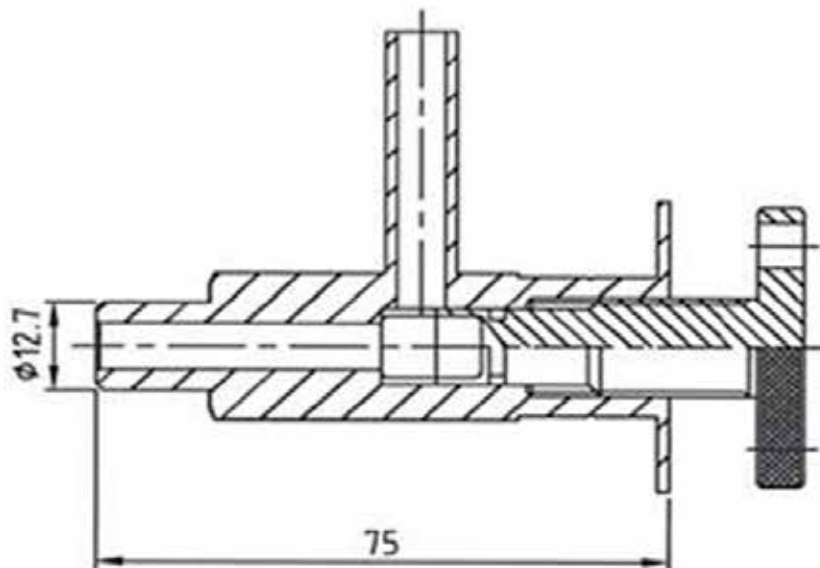
The Saniquip SV2WL series lockable sample valves offer a simple design at a very competitive price. Manufactured from AISI 316 stainless steel, the plug is in food grade

PTFE while the stem is sealed by a food grade EPDM o-ring (other materials available on request).

Materials of Construction:

Body: 316 Stainless Steel
Plug Seal: FDA Compliant PTFE
O-Ring Seal: FDA Compliant EPDM

Standard execution of ½" butt weld connection available from stock, BSP connection on request



Saniquip Stainless Ltd

PO Box 58722, Botany, Auckland 2163, New Zealand
Unit 9, 135 Cryers Road, East Tamaki, Auckland 2013, New Zealand

Phone +64 9 274 5570 or +64 9 274 5571

Email sales@saniquip.co.nz Website www.saniquip.co.nz