

SMY11 Oval Outward Opening Manway

The Saniquip model SMY11 is a hygienic oval outward opening manway suitable for top of tank or vessel installations. It is of robust stainless steel construction with a retention free cover design and is fitted with a hygienic double lipped gasket as standard.

Features

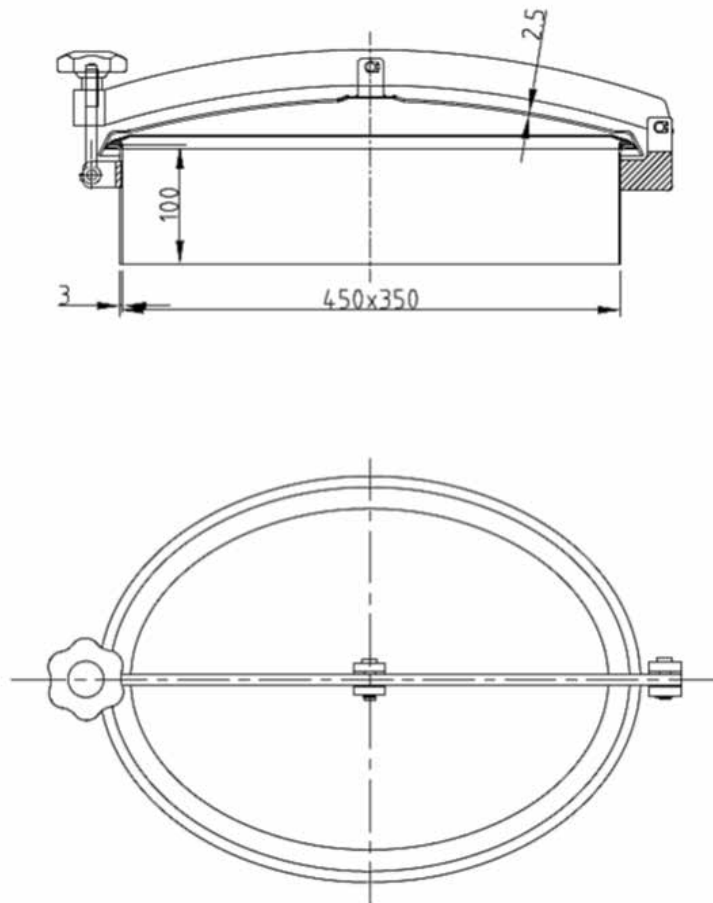
- Oval outward opening design for top mounting
- A good space saving top access option
- 450 x 350mm internal access dimension
- 100 x 3mm frame dimension



Materials

Product contact steel parts	AISI 304 or AISI 316L stainless steel
Non-product contact steel parts	AISI 304 stainless steel
Gasket	FDA Compliant translucent Silicone as standard. NBR, EPDM & Viton options available on request
Surface finish	Standard - mirror polished inside & out.
Maximum Working Temperature	150°C (Silicone gasket)

Dimensions



Recommended Spares: Standard material - translucent Silicone (FDA Compliant)

Saniquip Part No: 44FS001100 - FDA Compliant silicone gasket for oval outward opening manway model SMY11, 450 x 350mm

Saniquip Stainless Ltd

PO Box 58722, Botany, Auckland 2163, New Zealand
Unit 9, 135 Cryers Road, East Tamaki, Auckland 2013, New Zealand

Phone +64 9 274 5570 or +64 9 274 5571

Email sales@saniquip.co.nz Website www.saniquip.co.nz