

A-Series Pneumatically Operated Butterfly Valves

Saniquip pneumatically operated hygienic butterfly valves combine the proven design of the A-series manual butterfly valve with high quality German manufactured actuation and control head components.

Both stainless steel (AS) and plastic (AP) actuator options are available. The AP plastic actuator offers a lightweight and economical alternative to traditional stainless steel actuator construction while still offering the same performance and warranty.

Robust "double" mounting brackets are standard for both actuators and ensure secure mounting. The standard mounting bracket also includes provision for the installation of either one or two 12mm cylindrical proximity switches.

Alternatively the Saniquip AT top mounted control head (which incorporates quality Burkert and IFM brand internal components) can be fitted. Simple and clear local position indication - green for open/red for closed - comes standard as does the flexibility of full 360 degree rotation.

A-Series Butterfly Valve with AS Stainless Steel Pneumatic Actuator:

Actuator Features:

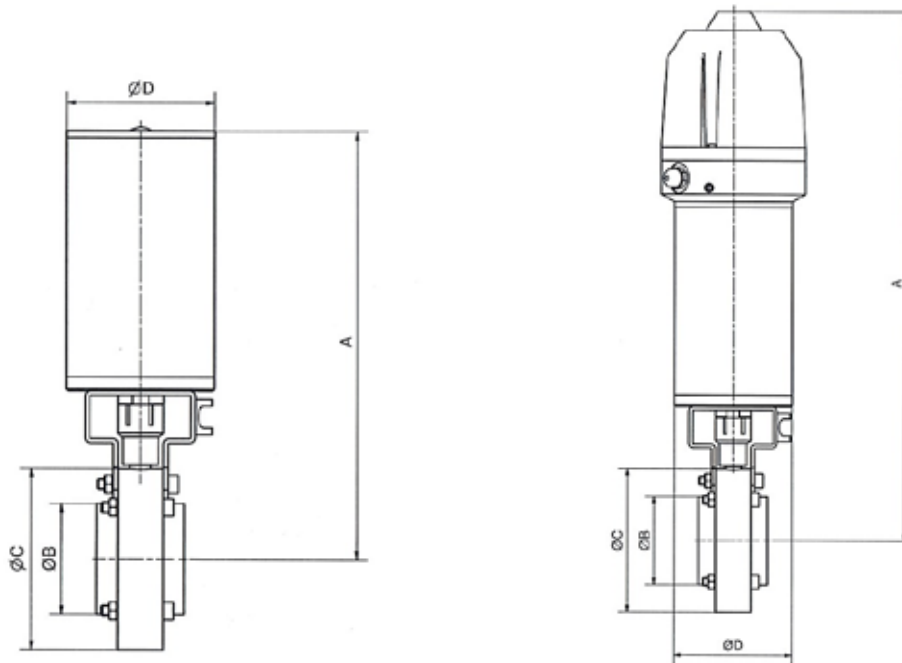
- One size actuator fits directly to all A-series butterfly valves in sizes 1" to 4". An adaptation kit also allows installation in 1/2" and 3/4" sizes. Larger actuators fit directly to 6" and 8" sizes
- High quality German design and manufacture of actuator and mounting kit
- Proven performance with over 300,000 actuators installed internationally
- Single acting air/spring execution as standard (normally open or normally closed). Double acting on request
- Robust "double" mounting bracket
- 12mm Cylindrical proximity switches can be fitted directly to the actuator mounting bracket for simple, low cost position feedback
- Integral visual position indication as standard
- Can be fitted with the AT series Control Top inclusive of solenoid valve/s and/or proximity switches. LED local position indication as standard



For additional technical and dimensional information specific to the A-series butterfly valve, refer separate A-series valve data sheet

Dimensions

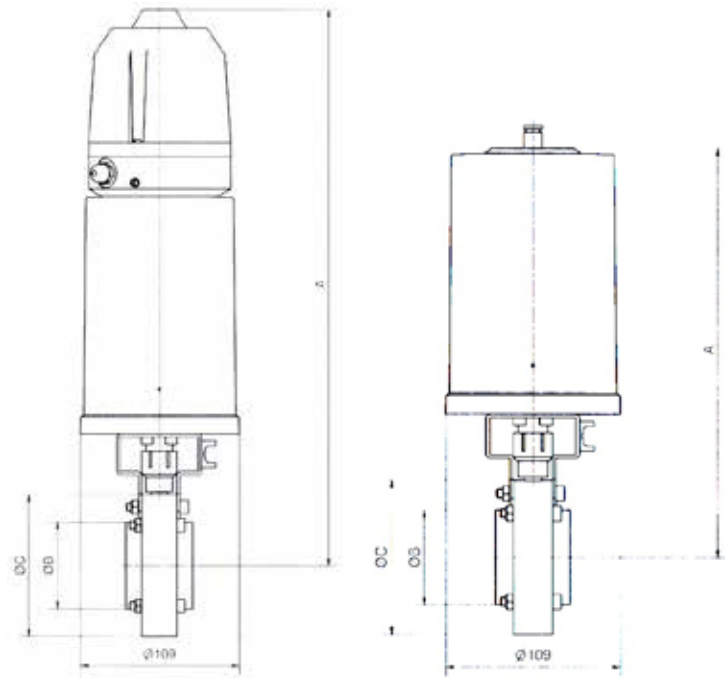
Valve & Actuator Assembly					Valve, Actuator & Control Top Assembly				
Size	A (mm)	ØB (mm)	ØC (mm)	ØD (mm)	Size	A (mm)	ØB (mm)	ØC (mm)	ØD (mm)
1"	228	25.8	69	85	1"	365	25.8	69	85
1.5"	233	38.5	79	85	1.5"	370	38.5	79	85
2"	241	51.2	94	85	2"	378	51.2	94	85
2.5"	246	63.9	104	85	2.5"	383	63.9	104	85
3"	260	76.6	124	85	3"	397	76.6	124	85
4"	274	102	151	85	4"	411	102	151	85
6"	371	153	223	114.3	6"	508	153	223	114.3



A-Series Butterfly Valve with AP Plastic Pneumatic Actuator:

Actuator Features:

- One size actuator fits directly to all A-series butterfly valves in sizes 1" to 4". An adaption kit also allows installation in 1/2" and 3/4" sizes. For 6" and 8" sizes the stainless steel actuator must be used
- High quality German design and manufacture of actuator and mounting kit
- Same performance and warranty as stainless steel actuator with considerable cost saving
- Reduced weight (1.6kg lighter than the equivalent stainless steel actuator)
- Single acting air/spring execution as standard (normally open or normally closed). Double acting on request
- Robust "double" mounting bracket as standard
- 12mm Cylindrical proximity switches can be fitted directly to the actuator mounting bracket for simple, low cost position feedback
- Integral visual position indication as standard
- Can be fitted with the AT series Control Top inclusive of solenoid valve/s and/or proximity switches



Valve & Actuator Assembly				Valve, Actuator & Control Top Assembly			
Size	A (mm)	ØB (mm)	ØC (mm)	Size	A (mm)	ØB (mm)	ØC (mm)
1"	257	25.8	69	1"	394	25.8	69
1.5"	262	38.5	79	1.5"	399	38.5	79
2"	270	51.2	94	2"	407	51.2	94
2.5"	275	63.9	104	2.5"	412	63.9	104
3"	289	76.6	124	3"	426	76.6	124
4"	303	102	151	4"	440	102	151

AT Control Top

All Saniquip plastic and stainless steel butterfly valve actuators can be fitted directly with the AT series control top.

AT Control Top features & advantages include:

- Suitable for direct installation on all Saniquip plastic and stainless steel butterfly valve pneumatic actuators
- High quality German design and manufacture
- Quick and simple assembly and disassembly
- LED visual position indicator as standard
- User-friendly connection technology
- High quality internal components (Burkert solenoid valve/s and IFM proximity switches)
- Can be rotated fully for installation on the actuator at any orientation
- Shapely design with robust housing
- Can be adapted to suit actuators from other manufacturers on request

ASI Control Top

ASI stands for Actuator - Sensor - Interface. ASI is a standardised modular cabling system for communication between sensors (eg. proximity switches) and actuator (valves). With the ASI system, sensors and actuators are connected by a single 2-wire cable - power supply included. By replacing traditional wiring with the ASI system expanding cable loops and bulky control cabinets can be eliminated.

ASI Control Top features & advantages include:

- Simple user-friendly assembly & disassembly
- Data and power is transmitted through a single 2-wire cable eliminating complex parallel wiring
- Low installation costs
- Reduced time spent on design, installation, fault finding and commissioning
- Modular expandability



Saniquip Stainless Ltd

PO Box 58722, Botany, Auckland 2163, New Zealand
Unit 9, 135 Cryers Road, East Tamaki, Auckland 2013, New Zealand

Phone +64 9 274 5570 or +64 9 274 5571

Email sales@saniquip.co.nz Website www.saniquip.co.nz