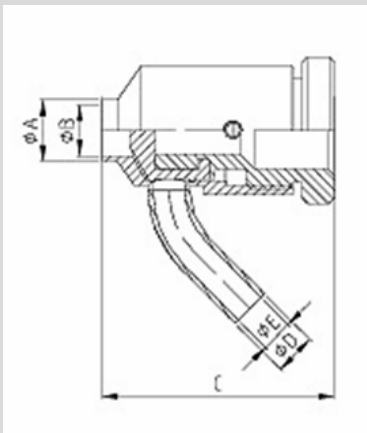


9116-Series Dual Purpose Hygienic Sample Valve

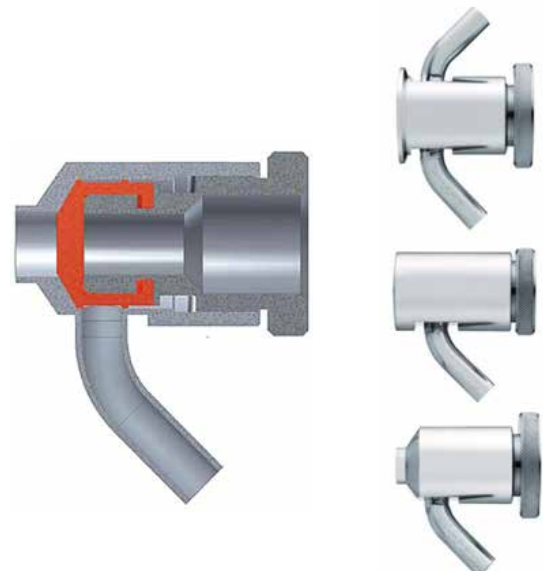
The Saniquip 9116 series sample valves offer a cost effective dual purpose sampling solution where the one device can be used for both disposable syringe penetration sampling and for bulk sampling. The valve is fitted with a specially designed gasket in FDA compliant silicone which acts as both the body seal and seat seal. In the case of bulk sampling, the handwheel is turned to open the valve and the sample is taken from the valve outlet. In the case of syringe penetration sampling, the valve is left in the closed position and the needle is inserted into the hollow handwheel/housing

arrangement and passed through the silicone gasket to take the sample. The gasket design is such that the hole will close up after the sample has been taken. Typically the gasket can be used for 20 - 30 penetrations (approx.) before replacement becomes necessary. Standard delivery is with a 19mm welding connection but executions with a 40mm welding connection or a sanitary clamp connection are also available.

Optionally, the 9116 dual purpose sample valves can be delivered with an additional CIP flushing connection.



Size	A	B	C	D	E
DN15	19mm	16mm	73mm	13mm	10mm
DN40	41mm	38mm	73mm	13mm	10mm



Saniquip Stainless Ltd

PO Box 58722, Botany, Auckland 2163, New Zealand
 Unit 9, 135 Cryers Road, East Tamaki, Auckland 2013, New Zealand

Phone +64 9 274 5570 or +64 9 274 5571

Email sales@saniquip.co.nz Website www.saniquip.co.nz